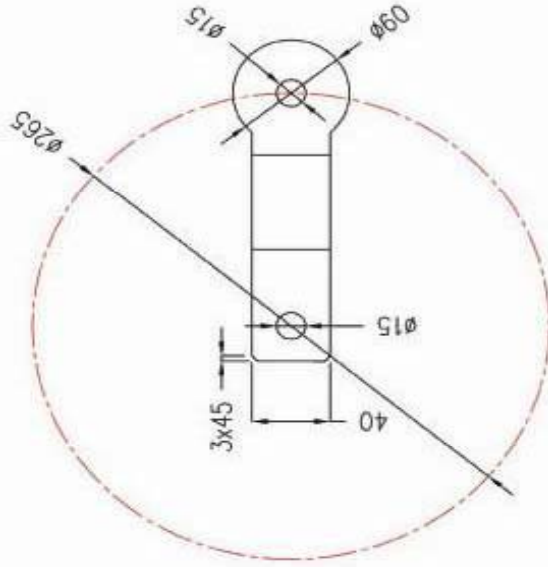
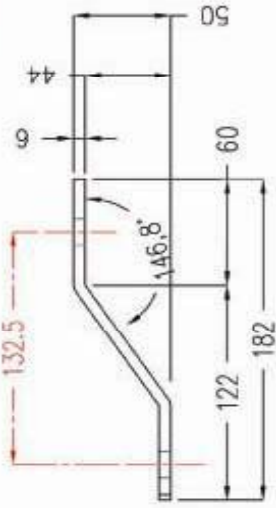




INOX HELLAS



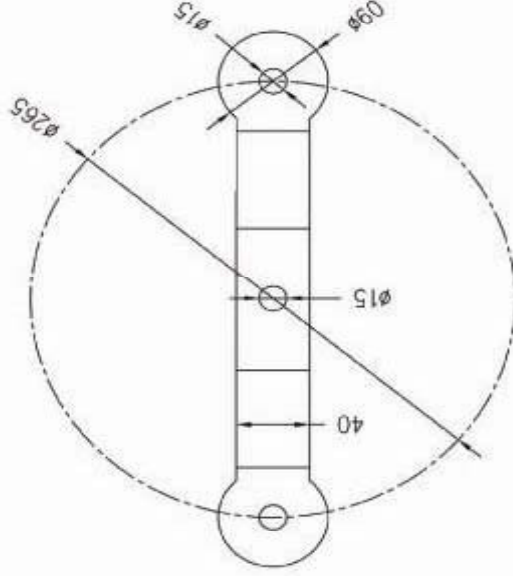
DESCRIPTION	Art. No.	AISI	Finish
ATLAS X1 SPIDER	03179	304	Satin
	03179A4	316	Satin
	03179M	304	Mirror
	03179A4M	316	Mirror

INOX HELLAS	
CUSTOMER	PROJECT CODE
GENERAL DESCRIPTION	ASSEMBLY No
SPECIAL DESCRIPTION	DESIGNER
DATE	VERSION
20-11-2007	1
REMARKS	DMC'S
	1 FROM 1
	MATERIAL
	60
	EN NORM
	EN
	PAPER SCALE
	PAPER SIZE
	A3

www.inoxhellas.gr



INOX HELLAS



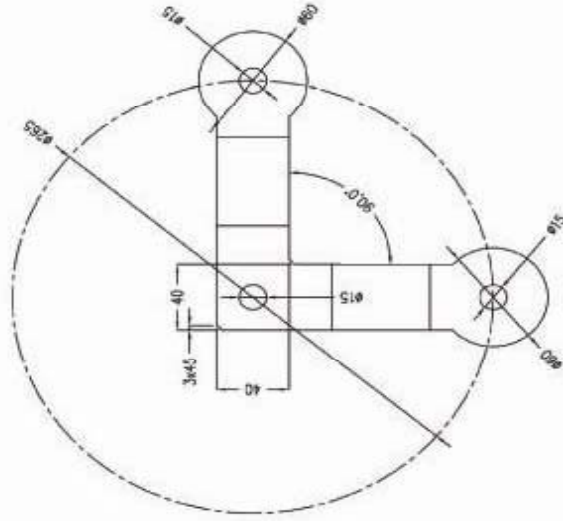
DESCRIPTION	Art. No.	AISI	Finish
ATLAS X2 SPIDER	03180	304	Satin
	03180A4	316	Satin
	03180M	304	Mirror
	03180A4M	316	Mirror

INOX HELLAS	
CUSTOMER	PROJECT CODE
GENERAL DESCRIPTION	ASSEMBLY No.
SPECIAL DESCRIPTION	SUBMITTING No.
	DESIGNER
	A. MALAMIS
	CHECK
	SUBCONTRACTOR
DATE	DRW No.
20-11-2007	VERSION
	1
REVISIONS	NO. OF PARTS
	1 FROM 1
	MATERIAL
	NO. 304 SATINE
	ISO
	DR. ROOM
	FIN.
	PAPER SCALE
	PAPER SIZE
	A3

www.inoxhellas.gr



INOX HELLAS



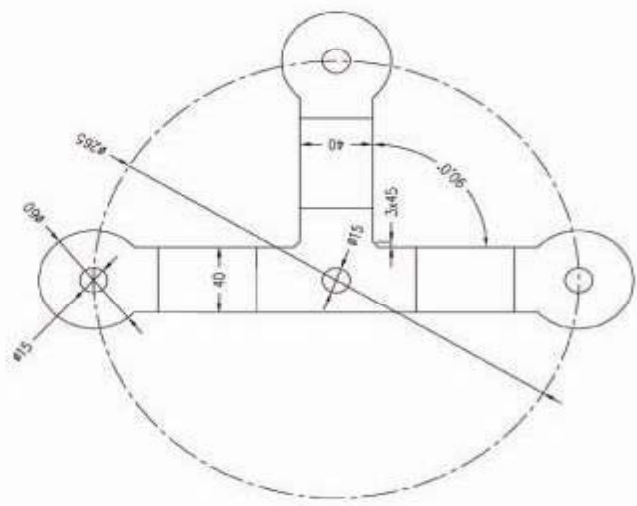
DESCRIPTION	Art. No.	AISI	Finish
ATLAS X2V SPIDER	03180V	304	Satin
	03180VA4	316	Satin
	03180VM	304	Mirror
	03180VA4M	316	Mirror

INOX HELLAS	
CUSTOMER	PROJECT CODE
GENERAL DESCRIPTION	ASSEMBLY No.
SPECIAL DESCRIPTION	SUBSTITUTING No.
DATE	DESIGNED
DWG No.	ORDER
VERSION	SUBCONTRACTOR
NO. OF SHEETS	WEIGHT
1 FROM 1	MATERIAL
	ISO
	DIN NORM
	PAPER SCALE
	PAPER SIZE

www.inoxhellas.gr



INOX HELLAS



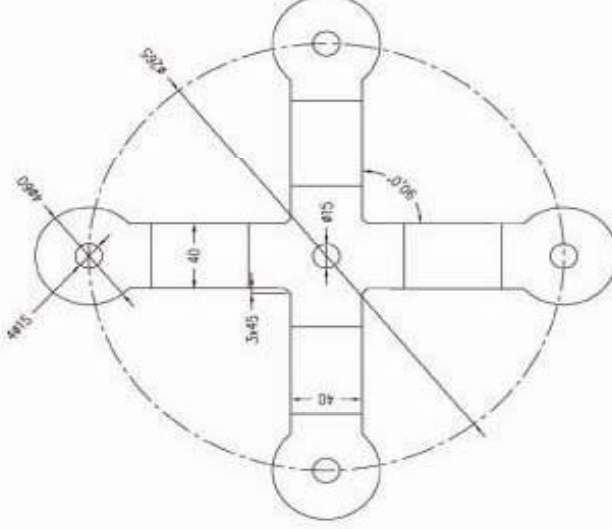
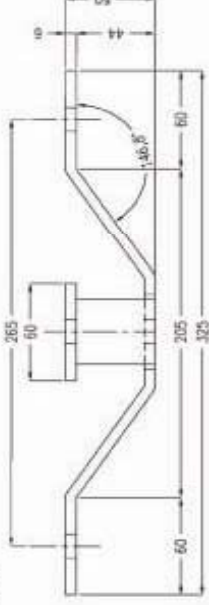
DESCRIPTION	Art. No.	AISI	Finish
ATLAS X3 SPIDER	03193	304	Satin
	03193A4	316	Satin
	03193M	304	Mirror
	03193A4M	316	Mirror

INOX HELLAS	
CUSTOMER	PROJECT CODE -
GENERAL DESCRIPTION ATLAS x 3	ASSEMBLY No. 03193
SPECIAL DESCRIPTION	SUBMITTING No. -
	DEPARTMENT A. MANAGO
	CHECK -
	SUBCONTRACTOR -
	WEIGHT -
DATE 04/06/14	DESIGNER 1 FROM 1
30-11-2017	MATERIAL INOX 304 SATRE
REMARKS	ED -
	DR. NOM -
	REL. -
	PAPER SCALE -
	PAPER SIZE A3

www.inoxhellas.gr



INOX HELLAS

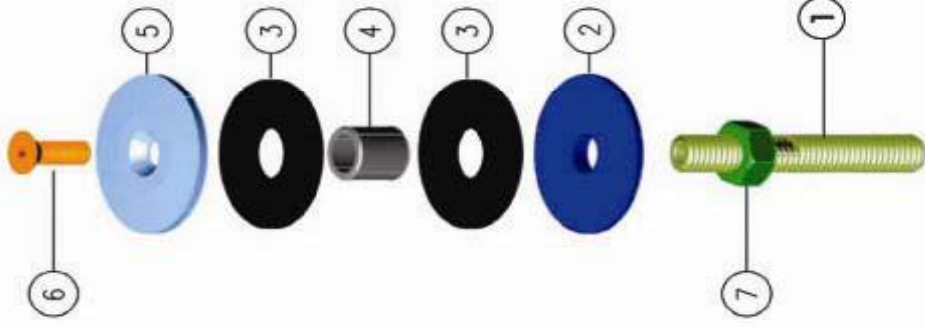


DESCRIPTION	Art. No.	AISI	Finish
ATLAS X4 SPIDER	03181	304	Satin
	03181A4	316	Satin
	03181M	304	Mirror
	03181A4M	316	Mirror

INOX HELLAS	
CUSTOMER	PROJECT CODE
ZENITH DESCRIPTION	ASSEMBLY No.
SPECIAL DESCRIPTION	SUBMITTING No.
DATE	DESIGNER
DWG No.	CHECK
VERSION	SUBCONTRACTOR
1	WEIGHT
1 FROM 1	MATERIAL
REMARKS	DR FROM
	SCALE
	PAPER SIZE
	A3



INOX HELLAS



Glass ≤ 15mm

7	NUT DIN 934 M4	-	STAINLESS A2
6	SCREW DIN 7981 M4x6	-	STAINLESS A2
5	WASHER #6x6x5	03178-783	INOX 304
4	CYLINDER #20x12	03178-780	NYLON 6
3	WASHER #6x4x2	03178-782	PVC
2	WASHER #6x6x6	03178-781	INOX 304
1	THREADED ROD M4x62.5	03178-784	INOX 304

No	DESCRIPTION	PART NUMBER	MATERIAL
----	-------------	-------------	----------

INOX HELLAS		PROJECT CODE	-
		ASSEMBLY No	03178
GENERAL DESCRIPTION		SUBMITTING No	-
ROUTEL		DESIGNER	A. MALAMOS
SPECIAL DESCRIPTION		CHECK	-
DATE		SUBCONTRACTOR	-
20-11-2007	DMG No	HEIGHT	-
1	VERSION	1 FROM 6	-
REMARKS		MATERIAL	-
		ISO	-
		DIN NORM	-
		RAL	-
		PAPER SCALE	1:1.25
		PAPER SIZE	A3

DESCRIPTION	Art. No.	AISI	Finish
ATLAS ROUTEL	03178	304	Satin
	03178A4	316	Satin
	03178M	304	Mirror
	03178A4M	316	Mirror

www.inoxhellas.gr